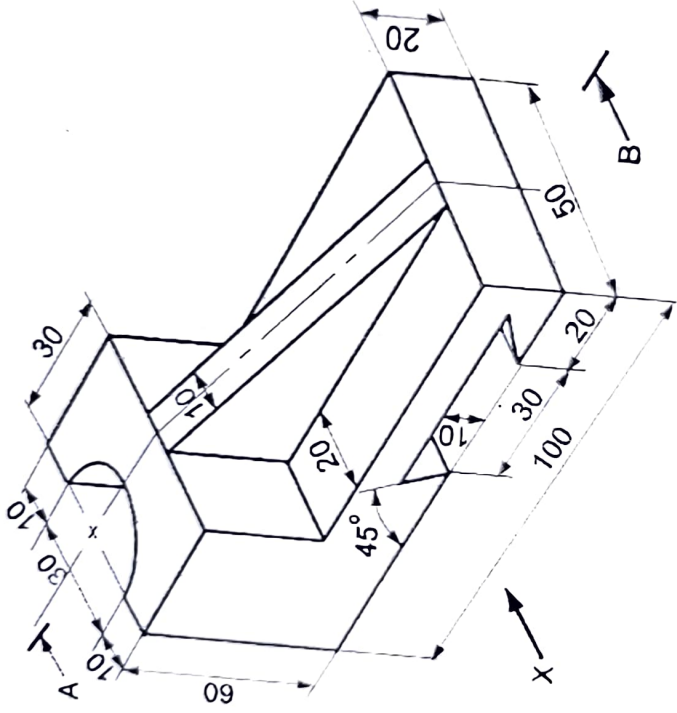




Q6. Draw FV, TV and RHSV



Q7. Draw FV and TV of the block shown

